

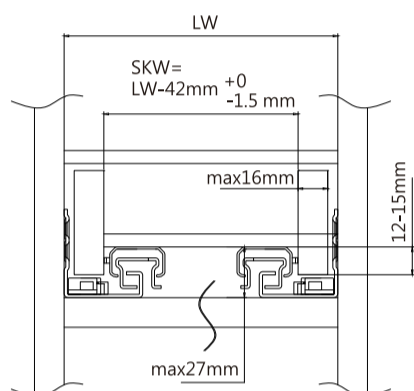
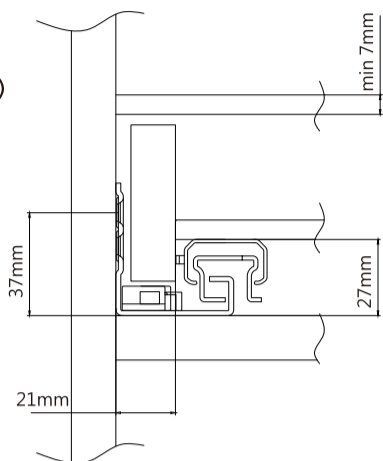
Wooden Drawer Quick Installation Guide of A5K01 & A5K02

NJA5K01 & NJA5K02 / 16mm (5/8 inch) / drawer side / 35 kgs loading (75 Pound)

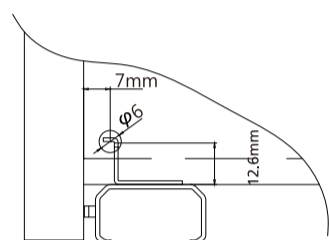
Step 1 > Drawer construction

✎ NJA5K01 / NJA5K02 is built for 16 mm (5/8 inch) drawer side only. Thinner or thicker drawer side might cause slide to malfunction. (Figure1)

✎ Please construct the drawer as per the following dimension.



Front View



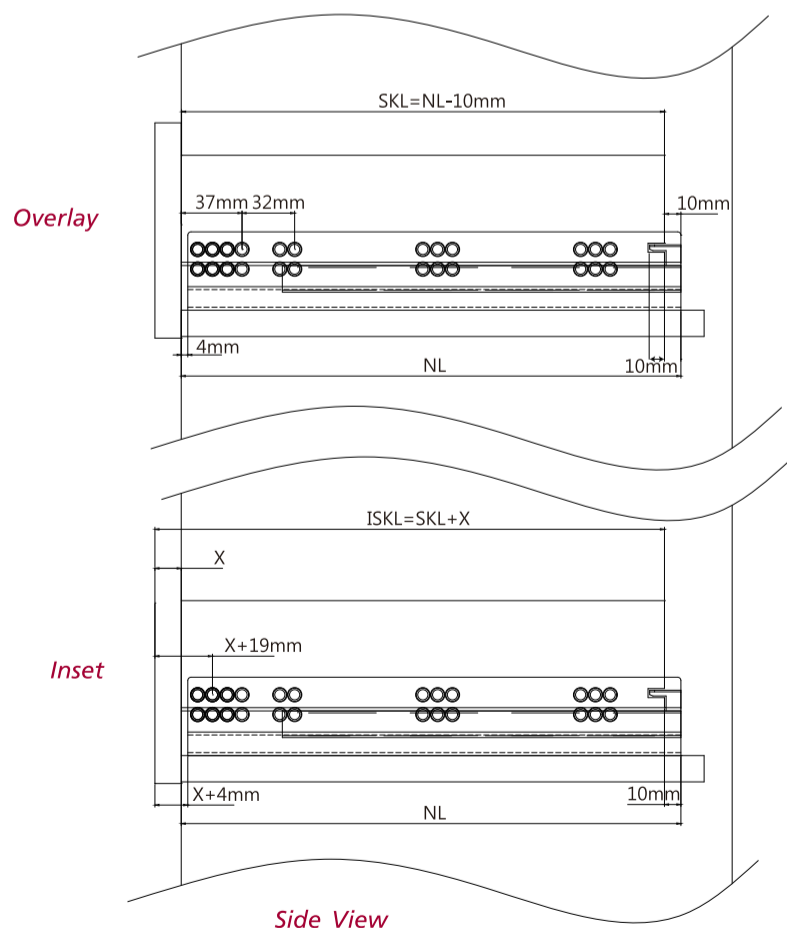
Rear View

Drawer / inner drawer

SKW Internal width

LW Inner cabinet width

SKL Drawer length
NL Nominal Length

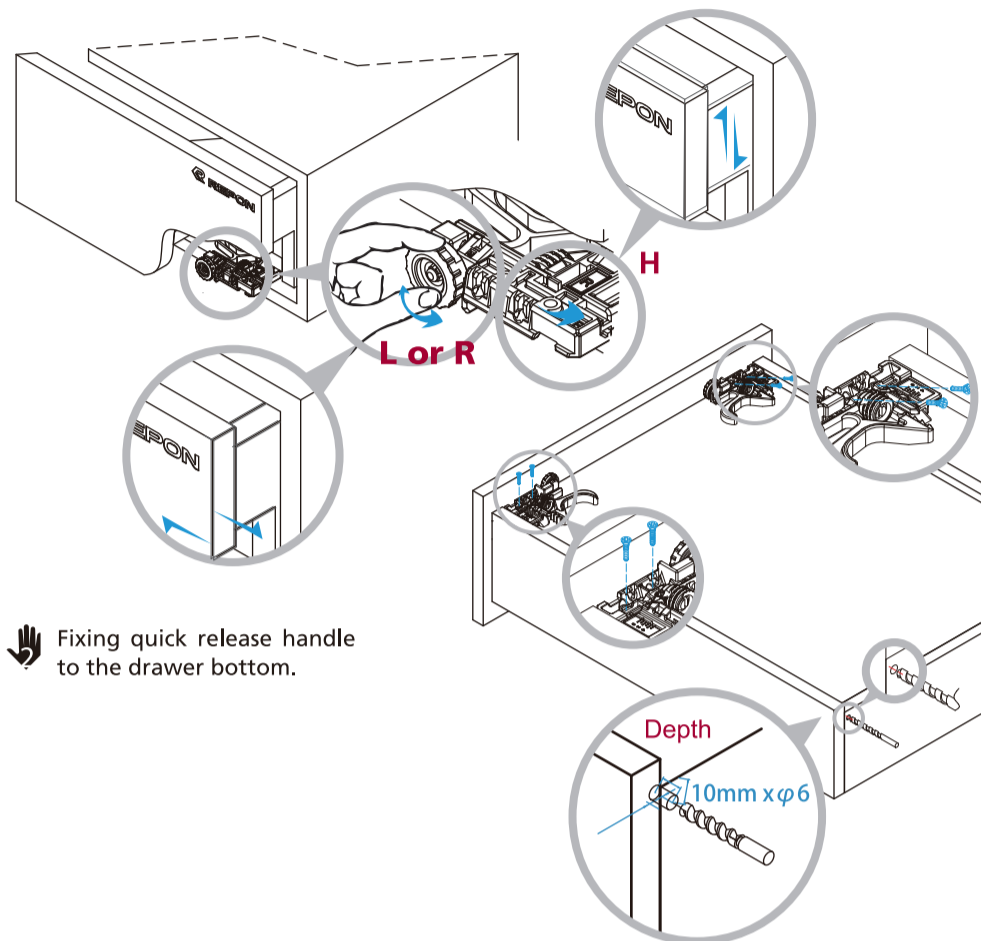


Side View

Inset Drawer Front = X
ISKL Inner drawer length (W / FRONT)
SKL Drawer length (W / O FRONT)
NL Nominal length

Step 2 > Adjustment

✎ For drawer front adjustment, please turn wheels rotate the lever as the illustration. You may raise the drawer front by a maximum of 4 mm, or left or right by 2 mm respectively



✎ Fixing quick release handle to the drawer bottom.

Step 3 > Drawer removal

✎ Pull the handle forward to release.

