

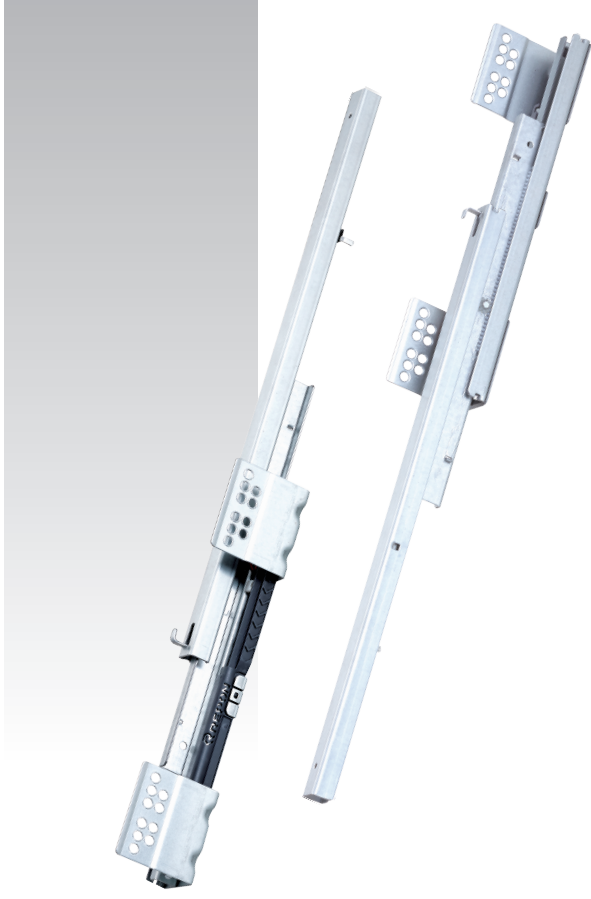


NJ-A8G01

Concealed Slides
75 pound class (34 kgs)

» Features » Drawing » Specification Table » Installation Instructions

Product Photo

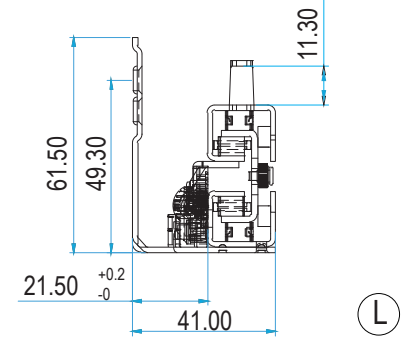


Features



Mounting | Under mount.
Loading | 75 pound class (35 kgs).
Size | 445 mm
Feature | Extremely light and silent synchronized movement.
Finish | Galvanized steel.
Option | None.

Profile



Surface Treatment

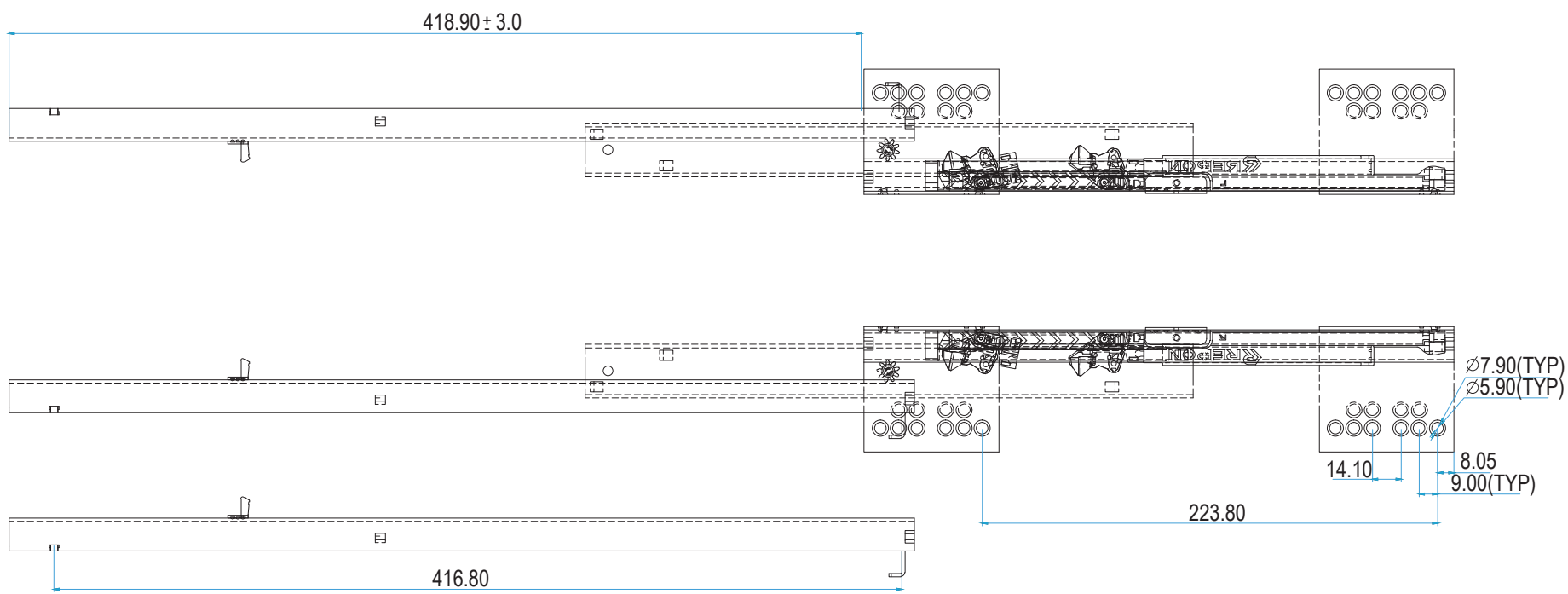
- Clear Zinc
- Black Zinc
- Black E. Coating
- White E Coating
- Stainless Steel

Packaging

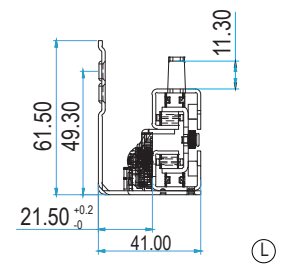
■ Distribution / 1 pairs per box

*Box QTY might vary with different length, the info provided here is based on 18" (450 mm)

Drawing



Profile



Specification Table

Installation Instructions

QUICK INSTALLATION GUIDE OF NJ-A8G01

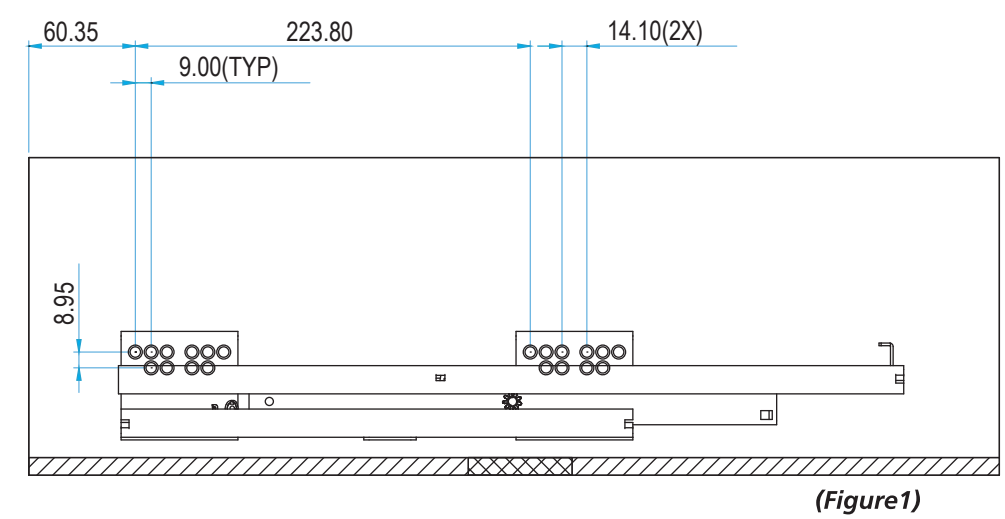
Full Extension Slide, 75 pound class (35 kgs) loading

READ THE QUICK INSTALLATION GUIDE FIRST BEFORE INSTALLATION

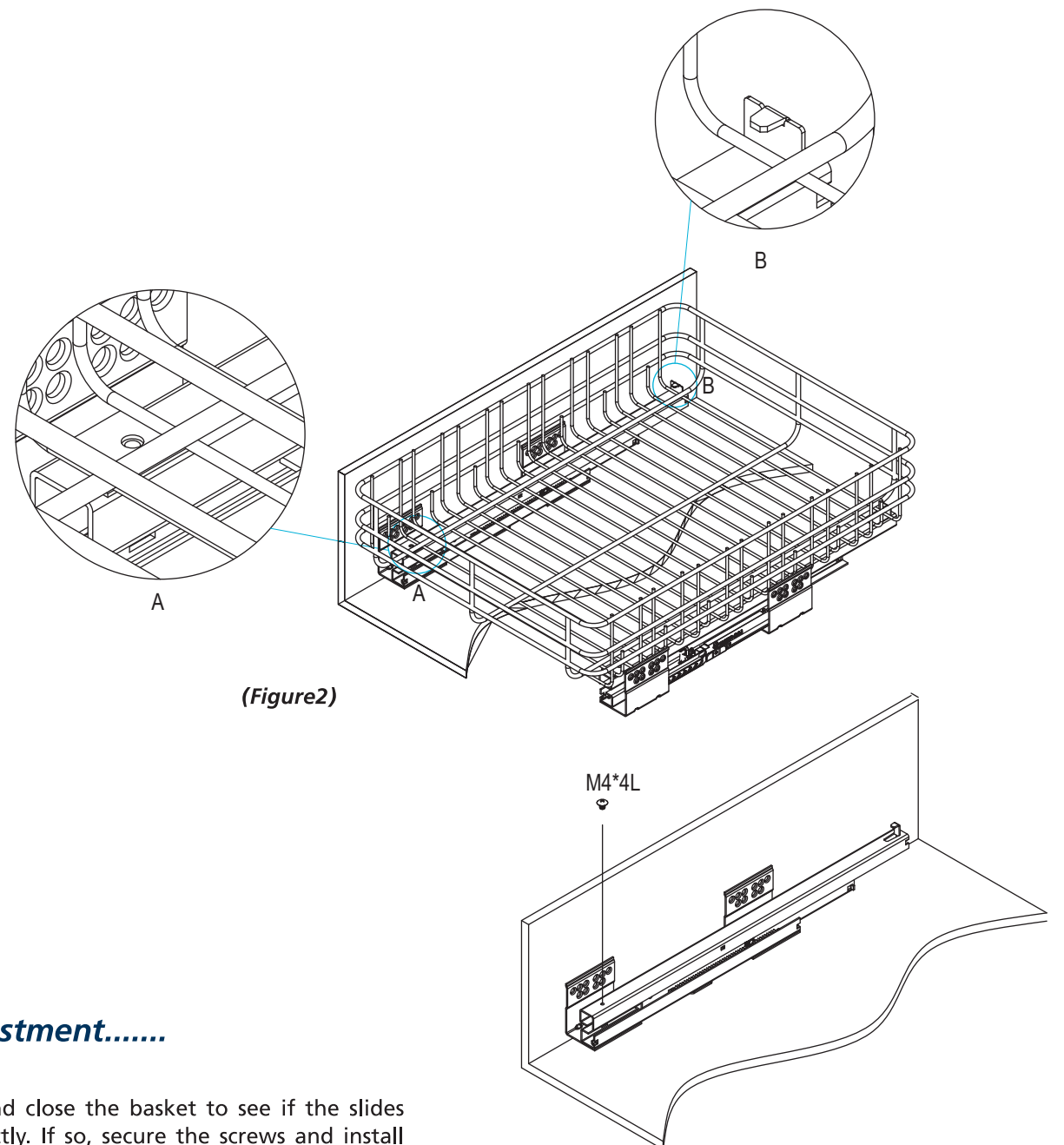
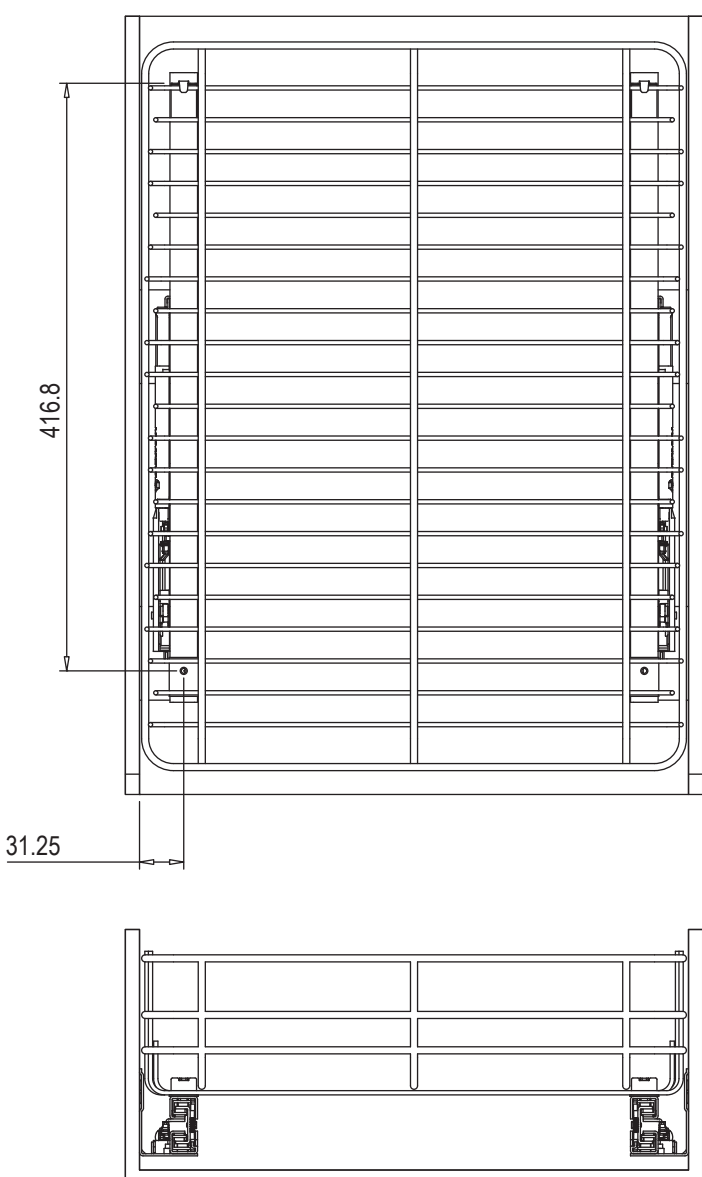
A. One wire basket requires one pair of slides (Left and right hand).
* Drawer front attachment is subject to the design of basket and front connector.

Step 1 > Wire basket slide installation

Place the slides in the location as fig 1. suggested, and affix with #8 countersunk screws. Recommend at least 4 screws on each side of slide. (Figure1)



(Figure1)



(Figure2)

Final Adjustment.....

Try to open and close the basket to see if the slides function correctly. If so, secure the screws and install additional screws as necessary. If slides do not function correctly, please check if basket or cabinet is square enough, or the dimension between basket and cabinet is within 31.25mm +2mm -0mm on each side

Step 2 > Mount the basket through the mounting feature

As shown on fig 2. (Figure2)

※ This instruction is for reference only. It may vary due to different applications.

NAN JUEN INTERNATIONAL CO., LTD.
No.2, Dazhi Rd., Taoyuan Dist., Taoyuan City 330, Taiwan (R.O.C.)
T + 886 - 3 - 3642777(Rep.) F + 886 - 3 - 3762777
www.repongroupp.com

