

COLLECTION



Slides into your Life !

SIMPLY EQUIPPED



NAN JUEN INTERNATIONAL CO., LTD.

NO.11, Alley 52, Lane 413, Ying-tao Road,
Ying-ghor Dist, New Taipei City 239, Taiwan (R.O.C.)

T +886-2-2677-7429 (Rep.) **F** +886-2-2677-7142

E sales@repon.com.tw

www.repon.com.tw

SUZHOU NAN JUEN TRADE CO., LTD.

NO.70 Zhong-Shan East Road ,
Mu-Du Town, Wu-Zhong District, Suzhou China

T +86-512-6636-8066 (Rep.) **F** +86-512-6636-6966

E sales@repon.com.tw

www.repongroupp.com

Contents



About Repon Slides 02

About Taiwan Excellence 04

Profile Overview 14

Woodworking 16

Metal Drawer (Double-Wall)

A5807 / A5808 / A5809 / A5810
A5801 / A5802 / A5803

Wooden Drawer 18

A5A01 / A5A02 / A5A03
A5601 / A5602

Wire Basket

A8G01

Soft Close 20

35D65 / 85A01 / 78036

Push to Open

38D58 / 78A01

Office Furniture 22

Interlock (anti-tilt)

Front Interlock 77Q09

Rear Interlock 87001 / 87A01 / 77K01

Industrial Applications 24

76008 / 76J01 / 76J05

Server Slides 26

21J01 / 21J02

13002 / 21A58 / 21G58 / 21D58

THE NAME OF **BALL-BEARING** SLIDES

Repon is the brand leader in developing, manufacturing, and marketing of high-quality slides. We supply premium quality slides to different industries and distributors around the world. **Repon has strong engineering capabilities, which enables us to win over 100 patents (including domestic & international) worldwide**, and still growing further. Our leading-edge technologies lead us to customize the products and win the trusts of customers around the world!

In 38 years, Repon starts from a small workshop to a group of 4 individual manufacturing facilities with over 900 employees in both Taiwan and China.

REPON DESIGNS, MANUFACTURERS, PACKAGES, AND DELIVERS PRODUCTS TO THE CUSTOMERS IN DIFFERENT FIELDS INCLUDING OFFICE FURNITURE, KITCHEN CABINETRY, TOOLBOX, HOME APPLIANCES, ELECTRICAL APPLIANCES, AND SERVERS...ETC.

The reason why Repon stands out from the crowd is by having complete product lines and strong engineering force. We continue to provide the better services and technologies, in the hope to grow stronger and further with our customers.

Repon, the name of Ball-Bearing Slides, is ready to head to our next 3 decades!

Slides into Your Life !





Shallow Drawer Frame



SB Tool-Less

Wooden Drawer



The 6th G Soft Close

Double Wall System for Wardrobe



Easy Down



NEW R cube



NEW Easy Down



2011
2013
2014
2015
2017
2018



SHALLOW DRAWER FRAME

The battery based LED stick provides sufficient luminescence, and enable end-users locate items in the drawer without lamp on which fulfill the purpose of energy conservation and environmental sustainability.

Drawer frame incorporated with under mount slides furnishes the benefits of clean and beautiful appearance and easy installation.

7 PATENTS:
98217806 | 98220821 | 98221077 | 99203476 | 12/757559 |
99204658 | 201020252039X



A5807 Shallow drawer frame



A5808 Standard drawer frame



A5809 Tall drawer frame



SB TOOL-LESS

Repon SB tool-less blade server slide adopted the original and patented tool-less mechanism for next generation server mounting. Inspired by the jaw of stag beetle, we named our products as "SB tool-less". Its slick and streamlined design integrated several parts and turned them into one piece stag alike clip. Unlike traditional server mounting which requires lots of manpower, SB tool-less requires only one person to mount the server, which saves a lot in time and labor.



4 PATENTS:

USA- 13/111,432 | TAIWAN- M413315 | CHINA- 2033869



TAIWAN
EXCELLENCE
2013



4W ADJ



TAIWAN
EXCELLENCE
2013

WOODEN DRAWER

Wooden drawer concealed slides as its name suggests are located underneath the drawer so that hardware part won't be exposed to users. Repon incorporated battery based LED stick into the concealed slides to allow users better locate items in each corner of the drawer, and also enhance the aesthetic of the furniture. Since the LED stick is powered by battery, it actually saves lots of time and hassle from installation and wiring. The wooden drawer with LED stick does help when the lighting is not sufficient.

2W ADJ



4 PATENTS:

M392592 | M427513 | 13/372,157 | 101200746



The 6th G SOFT CLOSE

The innovative dampening design of soft close drawer slides eliminates the drawback of traditional hydraulic and pneumatic dampers, which the grease or oil seal will fail after long turn use (result in damper failure), and adopting simple and cost effective design. The soft close slide's light movement, highly stable profile design and special shock absorbing mechanism differentiate Repon soft close from traditional drawer slides. End-users can open and close the drawer with an ease, which adds more value to the cabinet.



3 PATENTS:

TAIWAN- M34971 | JAPAN- 3153765 | USA- 12/320846

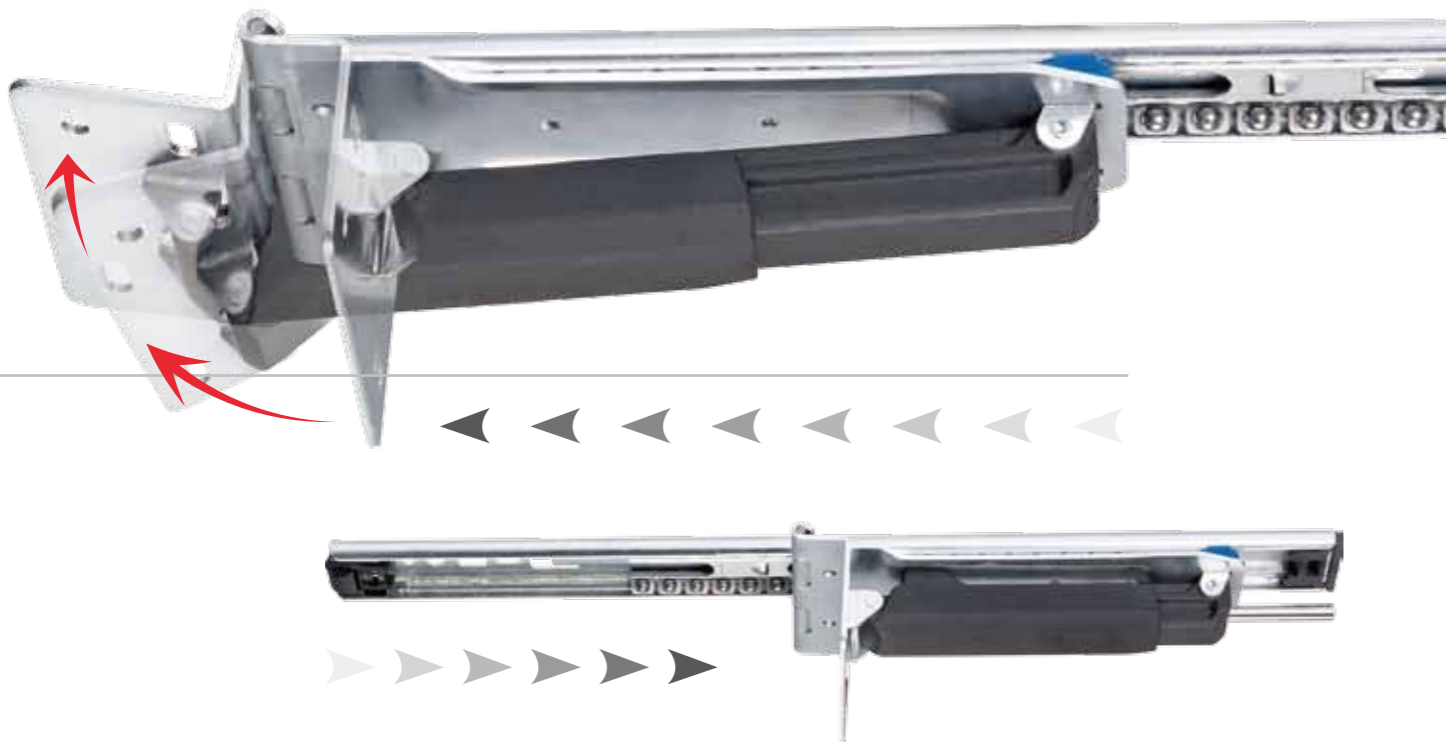


DOUBLE WALL SYSTEM FOR WARDROBE

The biggest feature from the new system to differentiate it from the rest of double wall family is the one-piece metal drawer frame. The advantage of it is to eliminate the use of gallery rail, which save cost and time. The other feature is multi connecting stages. It facilitates the drawer installation by allowing more forgiveness. Moreover, incorporating "Dry damper " extends the longevity of drawer. The new double wall system for wardrobe reduces the use of wood, and the purpose of it is to sustain the environment.

6 PATENTS:

TAIWAN- M34971 | JAPAN- 3153765 | USA- 12/320846



EASY DOWN



NJ27 series is Repon' s brand new "Real-time easy down flipper door slides " (a.k.a. easy down), and also a new approach of storage to users. Repon' s real time easy down is developed for upper case (wall case) of home environment. TV cabinets in living room and upper filing cabinets may adopt such design approach.

When case is open, and front door panel will be guided to rest on top the case. The user does not need to hold the door panel open with his or her hands, and can easily access the items stored inside the case without any concerns of injury.

1 PATENTS:
TAIWAN- M509256



4 PATENTS:
USA - 871467
GERMANY - 20 2012007763.5
TAIWAN - M440036
CHINA - 2729395

R cube

R Cube aims to elevate the application and value of the drawer, and change your perception regarding a drawer from now on. The drawer will not just serve as the storage but as part of the decoration which shows your taste, style and status.



The system is set to support the door loading around 12kgs (25lbs). For heavier door loading, thanks to the flat mount design, there is no need to use different grade of damper. All you need to do is purchase additional slides till the door drop motion meets your requirement.



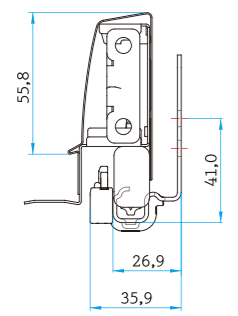
EASY DOWN

5 PATENTS:
 USA -15/469, 560 | 9523227 | TAIWAN -106105624 | M509256 | CHINA -2017101309868

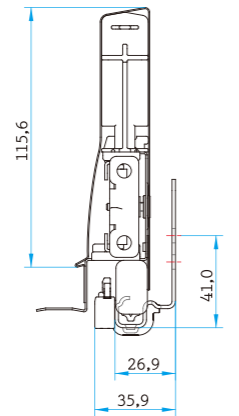


WOODWORKING
 OFFICE FURNITURE
 INDUSTRIAL APPLICATIONS

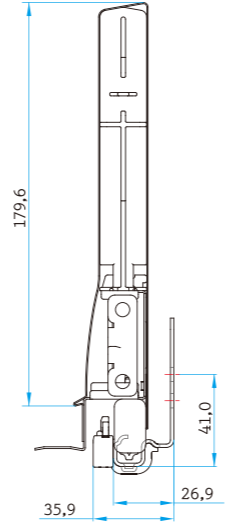
NJ-A5801 (35KGs / 75#)



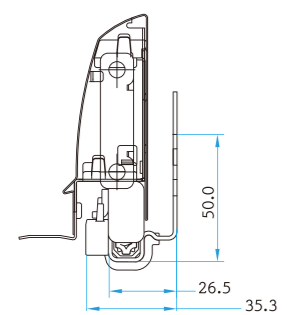
NJ-A5802 (35KGs / 75#)



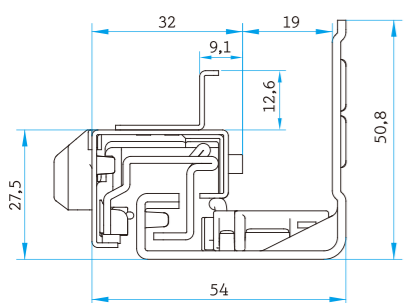
NJ-A5803 (35KGs / 75#)



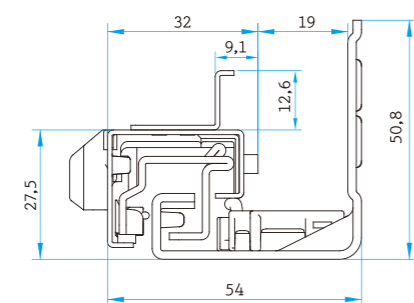
NJ-A5808 (35KGs / 75#)



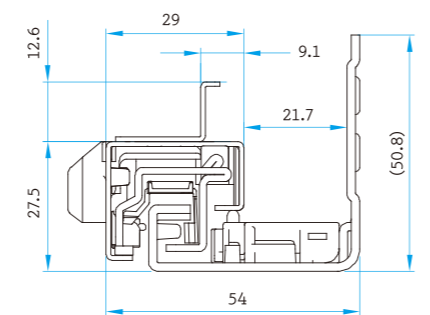
NJ-A5A01 (35KGs / 75#)



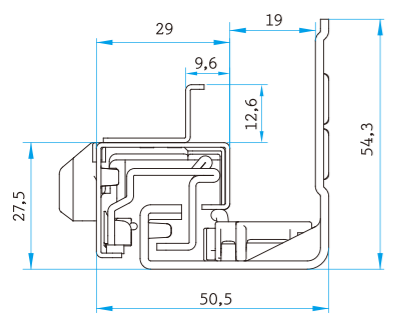
NJ-A5A02 (35KGs / 75#)



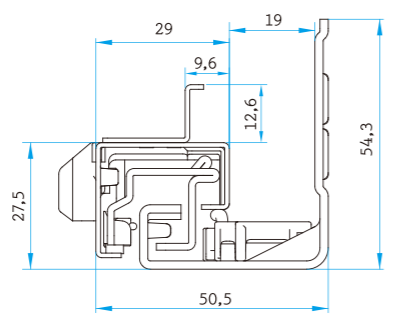
NJ-A5A03 (35KGs / 75#)



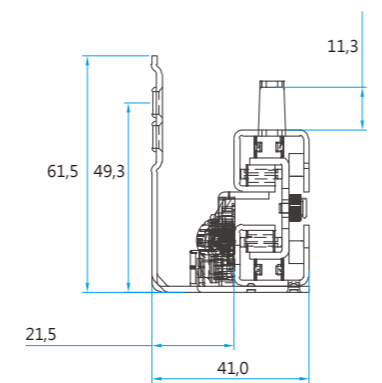
NJ-A5601 (35KGs / 75#)



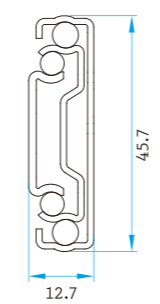
NJ-A5602 (35KGs / 75#)



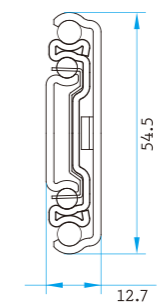
NJ-A8G01 (35KGs / 75#)



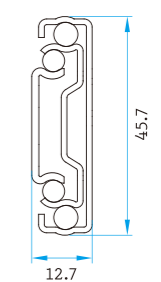
NJ-35D65 (45KGs / 100#)



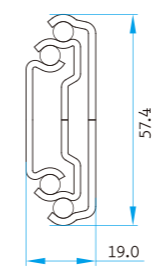
NJ-85A01 (60KGs / 130#)



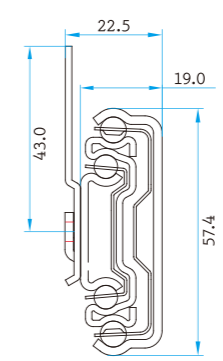
NJ-38D58 (45KGs / 100#)



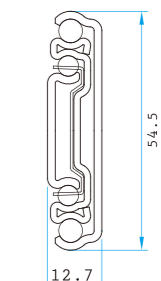
NJ-78A01 (68KGs / 150#)



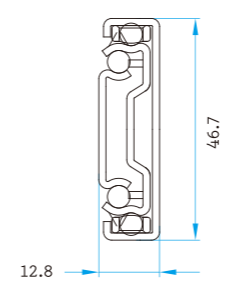
NJ-77Q09 (72KGs / 160#)



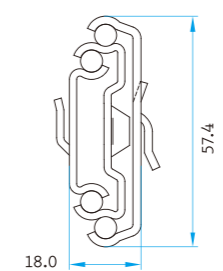
NJ-87A01 (60KGs / 130#)



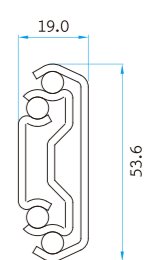
NJ-87001 (45KGs / 100#)



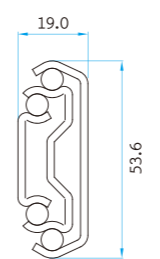
NJ-77K13 (72KGs / 160#)



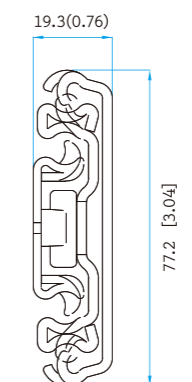
NJ-76008 (90KGs / 200#)



NJ-78036 (68KGs / 150#)



NJ-76J (180KGs / 400#)





For more than 40 years, Repon keeps providing the best products to meet the needs of woodworking and cabinet making industries.

Whether supplying directly to the residential, kitchen / bath manufacturers, or through distributors around the world, Repon's over-three-decades of experiences in quality manufacturing and industrial design, which enable us to perfect and focus on the following characteristics, and deliver the best-quality products!

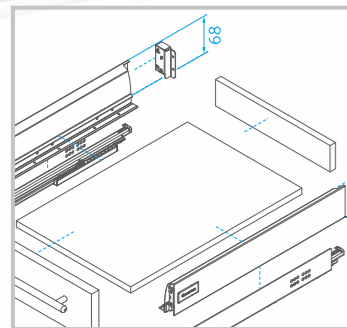
Reliability, Consistency, Wide Choices of Load Capacities, Choice of Functional Options, Customization, Lifetime Warranty.

"REPON, WHERE PRODUCT QUALITY AND CUSTOMER SERVICE COME FIRST."

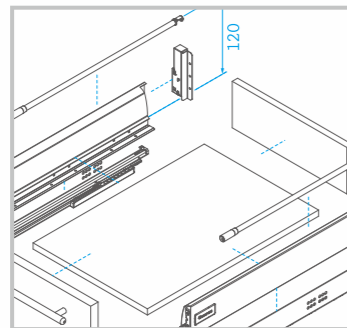
WOODWORKING



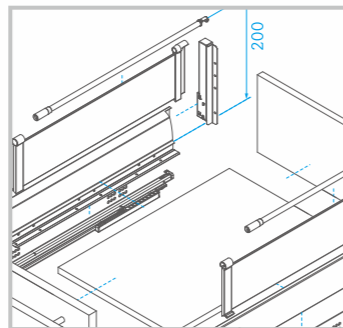
Extremely smooth and silent movement designed for 16 mm.



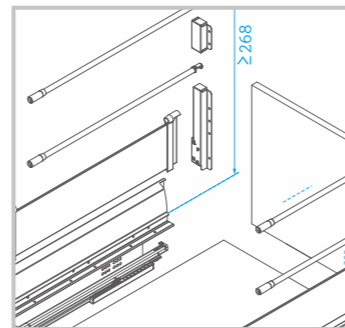
NJ-A5807 Shallow Drawer Frame



NJ-A5808 Standard Drawer Frame



NJ-A5809 Tall Drawer Frame



NJ-A5810 Dual Rail Drawer Frame

METAL DRAWER

Repon significantly enhances the slides' movement in the new metal drawer systems, by using our exclusive "Repon-DAMPER" technology, and refined shock-absorbing device.

For closet application, we provide choices by developing drawer in 3 heights —shallow, standard, and tall. (66, 126, 190)

- Exclusive designs of mechanism and profile guarantees heavy loading performance.
- Extremely smooth and silent movement / design for 18mm.
- 4-way adjustment-UP, DOWN, LEFT, and RIGHT.



TOOTHING ENGAGEMENT

PROVIDES FLEXIBLE ADJUSTMENT.

ONE-PIECE WALL DESIGN FOR 3 DIFFERENT HEIGHTS

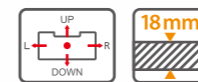
REPON-DAMPER INCORPORATED

BIFMA 50,000 CYCLES GUARANTEED.



NJ-A5802 Standard Drawer

NJ-A5803 Tall Drawer



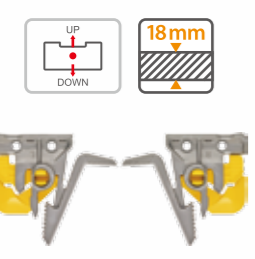
WOODEN DRAWER

New Release!

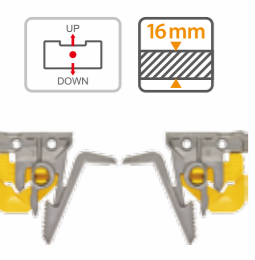
A BETTER UNDERMOUNT SYSTEM FOR WOODEN DRAWER IS NOW AVAILABLE!

Repon's new undermount slides with exclusive "DRY-DAMPER" technology provides 4-way adjustments for 16mm and 18mm board. 35kg loading with 50,000cycles guaranteed!

2W ADJ /mm



NJ-A5A03 >
2 way adjustment quick removal handles, incorporating dry damper, designed for 18 mm, metric measurement.

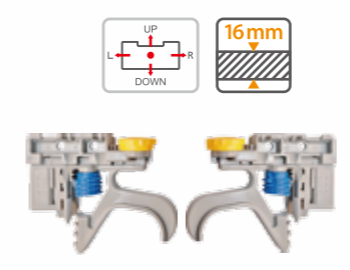


NJ-A5601 >
2 way adjustment quick removal handles, incorporating dry damper, designed for 16 mm, metric measurement.

NJ-A5602 >
2 way adjustment quick removal handles, incorporating dry damper, designed for 16 mm, back socket is optional, imperial measurement.



4W ADJ /mm



NJ-A5A01 >
4 way adjustment quick removal handles, incorporating dry damper, designed for 16 mm, metric measurement.

NJ-A5A02 >
4 way adjustment quick removal handles, incorporating dry damper, designed for 16 mm, back socket is optional, imperial measurement.



WIRE BASKET SLIDES



Exclusive mechanism design of the profile guarantees heavy loading performance.

Repon's exclusive concealed slides, 35kg loading for 50,000 cycles guaranteed!

NJ-A8G01 >



SOFT CLOSE

Repon's signature product—side mounts slides with exclusive “dry-damper”!
SUPER LIGHT AND SMOOTH MOVEMENT!



NEW The 6th generation soft close features press-release disconnect



NJ-35D65 >

Repon 6th generation soft close features its extremely smooth movement, and revolutionary press-release disconnect device for quick and effortless drawer removal.

NJ-85A01 >

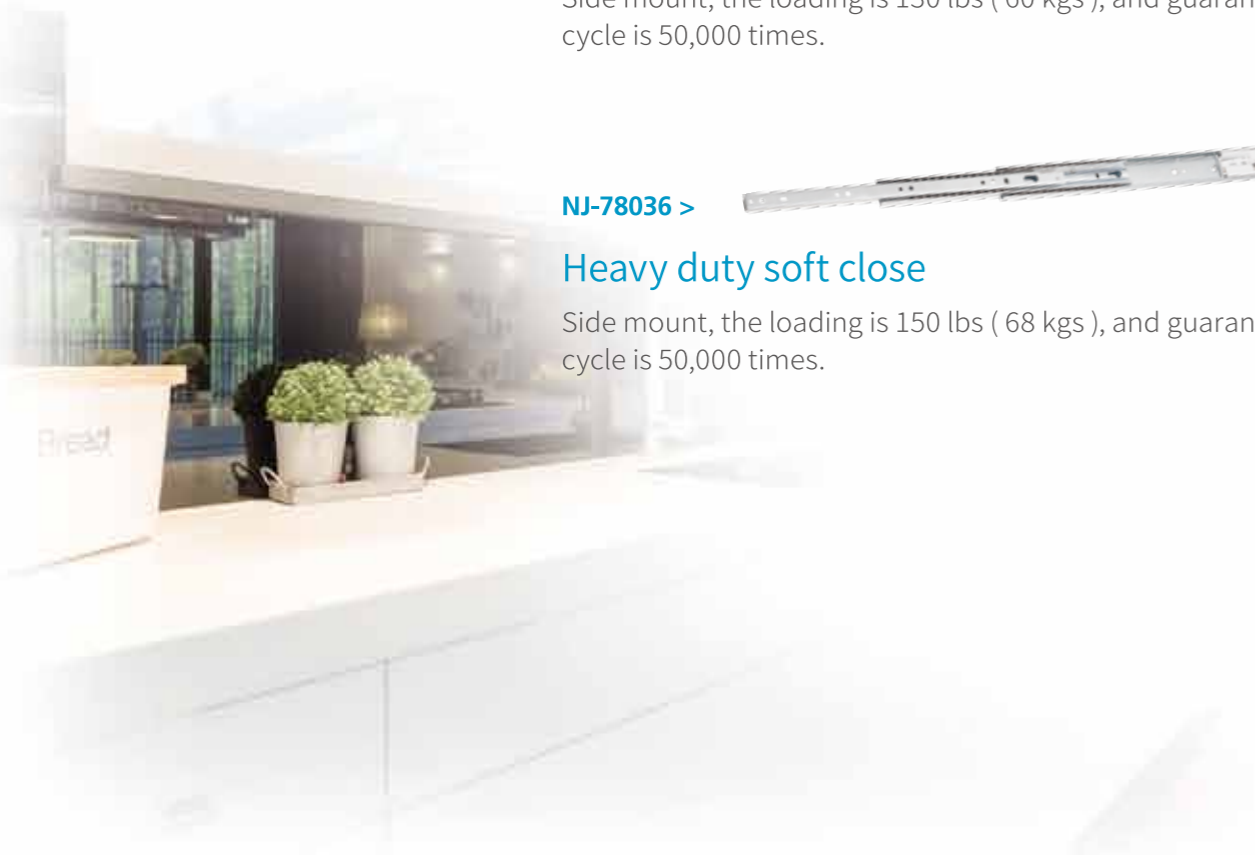
Heavy duty soft close

Side mount, the loading is 130 lbs (60 kgs), and guaranteed cycle is 50,000 times.

NJ-78036 >

Heavy duty soft close

Side mount, the loading is 150 lbs (68 kgs), and guaranteed cycle is 50,000 times.



PUSH TO OPEN

Effortless activation even without your hands.
PUSH ANYWHERE, DRAWER OPENS!



NJ-38D58 >

Compact mechanism to sustain the largest loading without compromising the push to open performance.

Side mount, the loading is 100 lbs (45 kgs), and guaranteed cycle is 50,000 times.



NJ-78A01 >

Heavy duty side mount push to open with exclusive push to open mechanism.

Side mount, the loading is 150 lbs (68 kgs), and guaranteed cycle is 50,000 times.



Repon is proud to have many world's largest and most respected manufacturers of wooden and metal office furniture for a long time. Surpassing strict government standards, **Repon is further proud that our products serve with distinction within the departments and agencies of North American national, state and provincial governments.** Repon, where product quality and customer service come first, is your best slides partner for office furniture!

OFFICE FURNITURE

INTERLOCK (ANTI-TILT)

Integrated cabinet locking system (ICLS) is a revolutionary product which is developed to integrate **3 main accessories required to make a cabinet- lock, drawer suspension and interlock.**

The product is designed and developed for office furniture, tool box and storage.



FRONT INTERLOCK

NJ-77Q09 >

Side mount, **FRONT INTERLOCK** the loading is 160 lbs (72 kgs), and guaranteed cycle is 75,000 cycles based on BIFMA lateral file criteria.



REAR INTERLOCK

NJ-87001 >

Side mount, **REAR INTERLOCK (ANTI-TILT)** mechanism, loading 100 lbs (45 kgs) for 50,000 cycles.



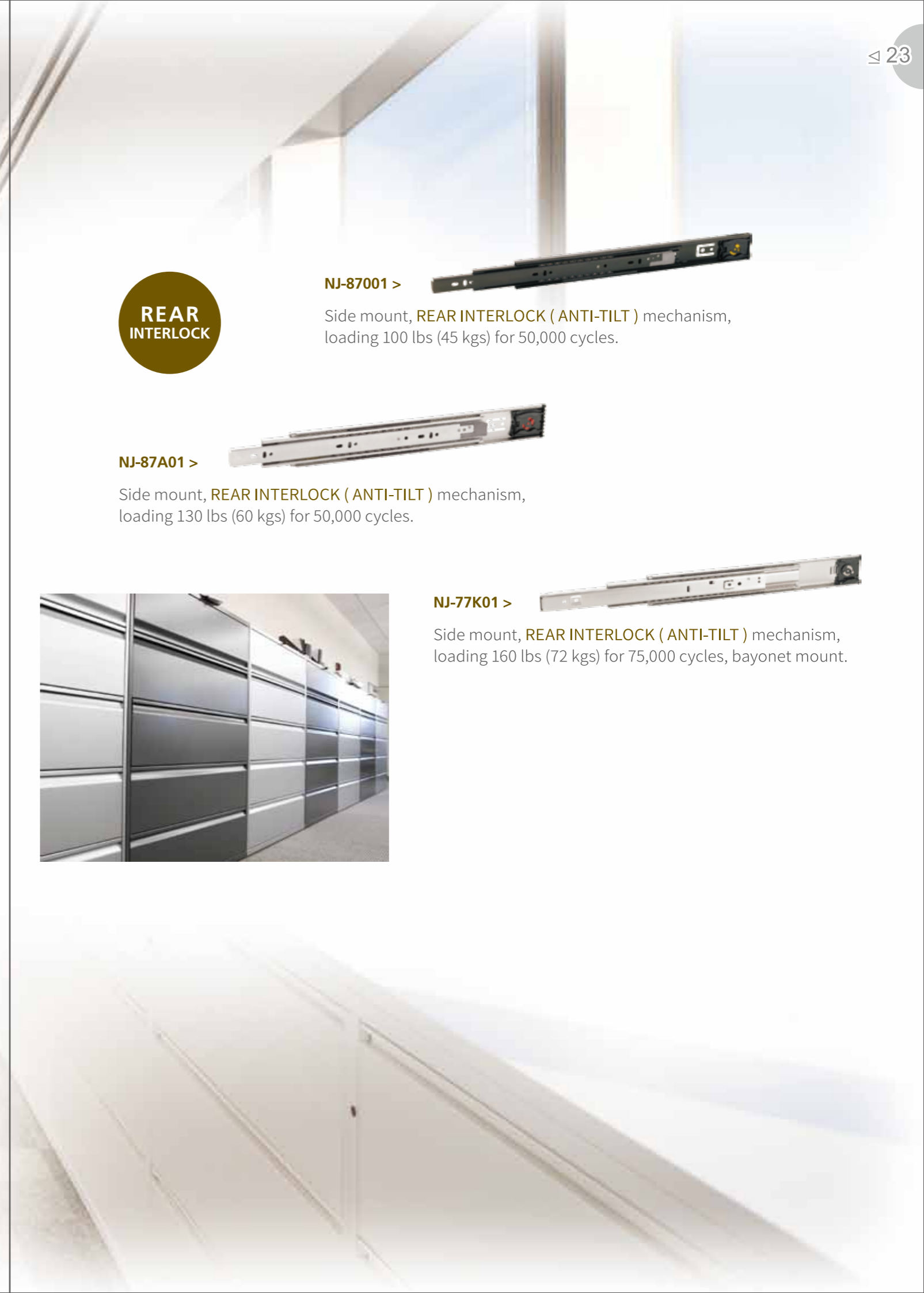
NJ-87A01 >

Side mount, **REAR INTERLOCK (ANTI-TILT)** mechanism, loading 130 lbs (60 kgs) for 50,000 cycles.



NJ-77K01 >

Side mount, **REAR INTERLOCK (ANTI-TILT)** mechanism, loading 160 lbs (72 kgs) for 75,000 cycles, bayonet mount.



Consider Repon as your one-stop choice for all kinds of slides' needs.

Repon manufactures slides to be applied in different fields of industrial applications, such as automotive, electric appliances, ATM machines, copy machine, and kiosks. Our products are even being widely used in home appliances including refrigerators, ovens, dish drawers, and washing machines. Repon, where product quality and customer service come first!

Welcome to explore more in Repon, the name of Ball-Bearing Slides!



INDUSTRIAL APPLICATIONS

- Industrial
- Medical
- Refrigerator
- Electronic
- Toolbox
- Oven
- Rv

loading 400 lbs



NJ-76J01 >

SUPER HEAVY DUTY SLIDES

Side mount or flat mount, the loading is 400 lbs (180 kgs), and guaranteed cycle is 50,000 cycles. Available size is from 10" to 72" at 2" increment.



loading 200 lbs

NJ-76008 >

HEAVY DUTY SLIDES

Side mount heavy duty, the loading is 200 lbs (90kgs), and guaranteed cycle is 50,000 times. Available size is from 300mm to 1200mm at 50mm increment.



loading 400 lbs

SUPER HEAVY WITH LOCK IN/OUT

NJ-76J05 >

Side mount or flat mount, the loading is 400 lbs (180 kgs), lock in and out mechanism incorporated, and guaranteed cycle is 50,000 cycles. Available size is from 14" to 60" at 2" increment.



Welcome to the "Big Data" world!

Repon manufactures different server slides to be utilized in various server models from 1U to 3U and more! For quick assembling, our exclusive "tool-less" brackets could satisfy your needs. We also provide CMA (Cable Management Arm) resolutions for proper mounting of your server systems. Repon has the strong engineering modification and production experience to meet the customers' individual needs, which server industry further requires. Repon, where product quality and customer service come first, is ready to become your best partner to surf together on the Big Data Trends!

SERVER SLIDES



NEW
EIA
310-D
1U

NJ-21J01 > TOOL-LESS

21J01 Jaws tool-less is a new heavy duty slim slide with convertible tool-less developed and thumb screw for 1U 438mm wide & deep chassis. The direct-mount tool-less is for easy and quick installation. loading: 35kgs.



NEW
1U

NJ-21J02 > SB TOOL-LESS

Developed for 438mm wide chassis and 9.5mm x 9.5mm square cut-out; SB tool-less and thumb screw design for quick installation along with RoHS complaint plating; loading: 35kgs.

1U

NJ-13002 > SCREW MOUNT

Frictional slides, developed for 430mm wide chassis and 9.5mm x 9.5mm square cut-out; EIA screw mount brackets along with RoHS complaint plating; loading: 22kgs.



1U-2U

NJ-21A58 > SB TOOL-LESS

Developed for 430mm wide chassis and 9.5mm x 9.5mm square cut-out; SB tool-less for quick installation along with RoHS complaint plating; loading: 45kgs.



1U-2U

NJ-21G58 > SB TOOL-LESS

Developed for 438mm wide chassis and 9.5mm x 9.5mm square cut-out; SB tool-less for quick installation along with RoHS complaint plating; loading: 30kgs.



2U-3U

NJ-21D58 > SB TOOL-LESS

Developed for 438mm wide chassis and 9.5mm x 9.5mm square cut-out; SB tool-less for quick installation along with RoHS complaint plating; loading: 80kgs.



Industrial



CABINET
Refrigerator

Medical Toolbox Electronic RV Oven

Slides into your Life!