



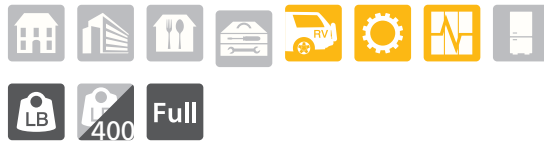
# NJ-71J01

Full Extension Slides  
400 pound class (180 kgs)

### Product Photo

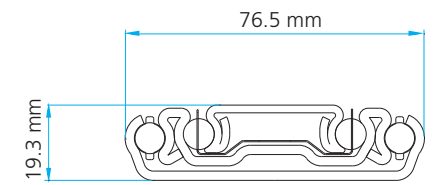


### Features



Mounting | Side mount.  
Side Clearance | 19.0 mm plus 0.3 mm, minus 0 each side.  
Height | 76 mm  
Loading | 400 pound (180kg) class.  
Size | 12,14,15,16,18,20,22,24,26,28 inch.  
Feature | Super Heavy Duty Slide and Disconnectable  
Option | None

### Profile



### Surface Treatment

- Clear Zinc
- Black Zinc
- Black E. Coating
- White E Coating
- Stainless Steel
- Galvanized Steel

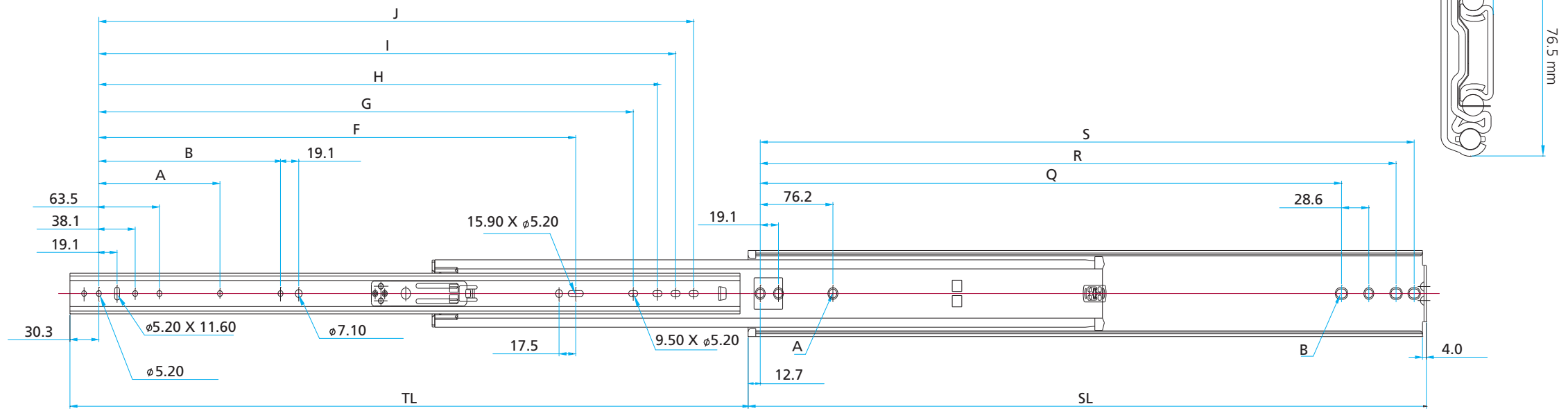
### Packaging

- Distribution / 15 pairs per box
- Production

\*Box QTY might vary with different length, the info provided here is based on 18" (450 mm)

### Drawing

### Profile



### Specification Table

SIZE	SL	TL	A	B	F	G	H	I	J	Q	R	S
12" (300mm)	304.8	304.8							217.4	203.2	260.4	279.4
14" (350mm)	355.6	355.6					230.2	249.2	268.2	254.0	311.2	330.2
15" (381mm)	381.0	381.0				230.2	255.6	274.6	293.6	279.4	336.6	355.6
16" (400mm)	406.4	406.4	127.0			255.6	281.0	299.9	319	304.8	361.9	381.0
18" (450mm)	457.2	457.2	127.0			306.4	331.8	350.8	369.8	355.6	412.8	431.8
20" (500mm)	508	508.0	127.0			357.2	382.6	401.6	420.6	406.4	463.6	482.6
22" (550mm)	558.8	558.8	127.0		347.7	408.0	433.4	452.4	471.4	457.2	514.4	533.4
24" (600mm)	609.6	609.6	127.0	190.5	398.5	458.8	484.2	503.2	522.2	508	565.2	584.2
26" (650mm)	660.4	660.4	127.0	190.5	449.3	509.6	535.0	554.0	573.0	558.8	616.0	635.0
28" (700mm)	711.2	711.2	127.0	190.5	500.1	560.4	585.8	604.8	623.8	609.6	666.8	685.8

### Installation Instructions

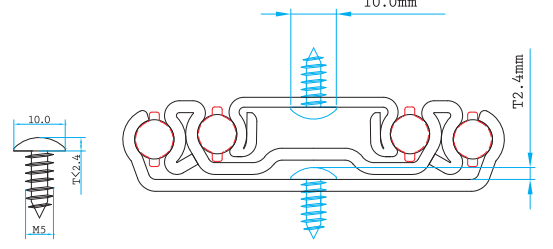
## QUICK INSTALLATION GUIDE OF NJ-71J01

Loading, Full Extension Slides, 400 pound (180 kgs) loading



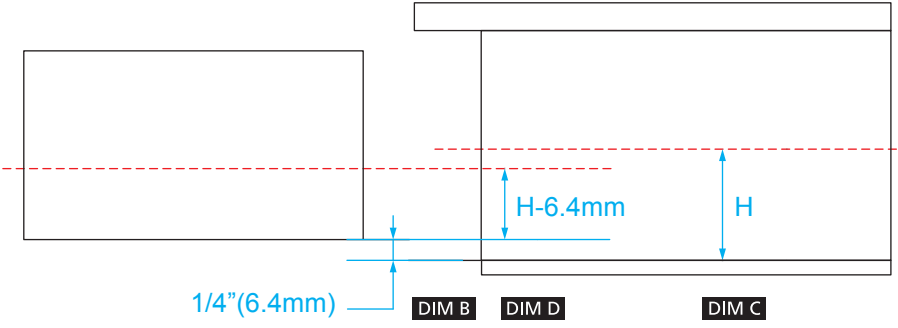
**READ THE QUICK INSTALLATION GUIDE FIRST BEFORE INSTALLATION**

A. Recommended screws for fixing - #10 or M5 pan head screws, at least 8 screws for each slide.



### Technical Specifications for drawer or pull-out shelf

- Drawer or pulling-out shelf must be at least. (DIM A)
- Bottom of drawer or pulling-out shelf bottom shall have 6.4 mm or 1/4" minimum clearance from the bottom of cabinet. ( DIM B )
- Mark a center line with proper height (H) from the bottom of cabinet 19.3mm.
- Mark a center line with proper height (H-6.4mm) from the bottom of drawer (DIM D).



## Step 1 > Install cabinet member to cabinet

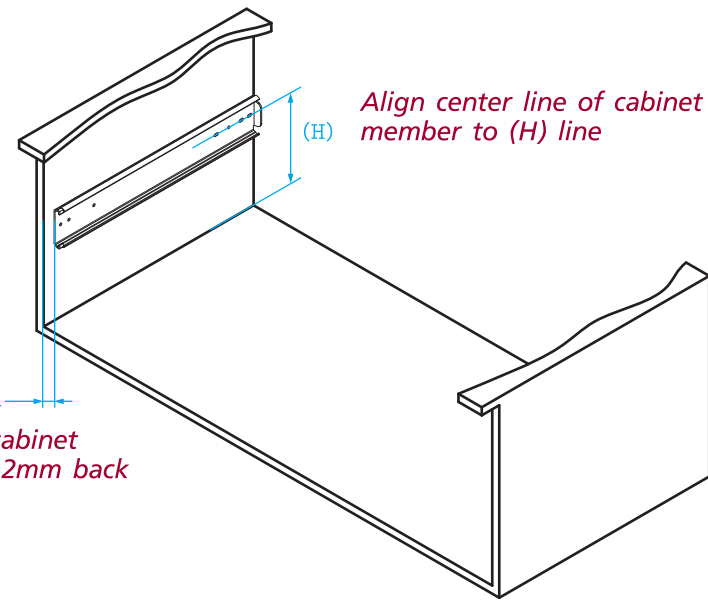
Push down or lift up release trigger on the right or left to disconnect the drawer member. (Figure1-1)



Push down at right hand side or lift up at left hand side

(Figure1-1)

Align center line of cabinet member to pre-determined center line (H), and place slide 2 mm backward from cabinet opening.



Align center line of cabinet member to (H) line

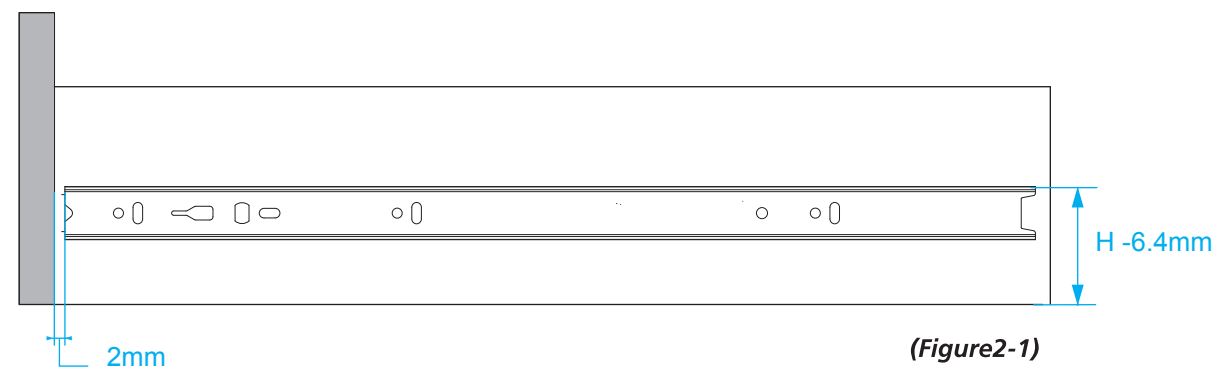
Set the cabinet member 2mm back

Fix the slides through the most flexible holes on breather tab for best slide performance. Leave the screw loose for final adjustment. Move the slides back and forth, and make sure no screw is bound.

## Step 2 > Install drawer member to drawer

Align center line of drawer member to the pre determined line (H-6.4 mm), and place drawer member 2 mm backward from the drawer front or the pulling-out shelf edge. Shall the silencing cushion is used, place drawer member 5.2 mm backward. (Figure2-1)

Fix the drawer member through vertical slots for vertical adjustment. Leave the screw loose for final adjustment.



(Figure2-1)

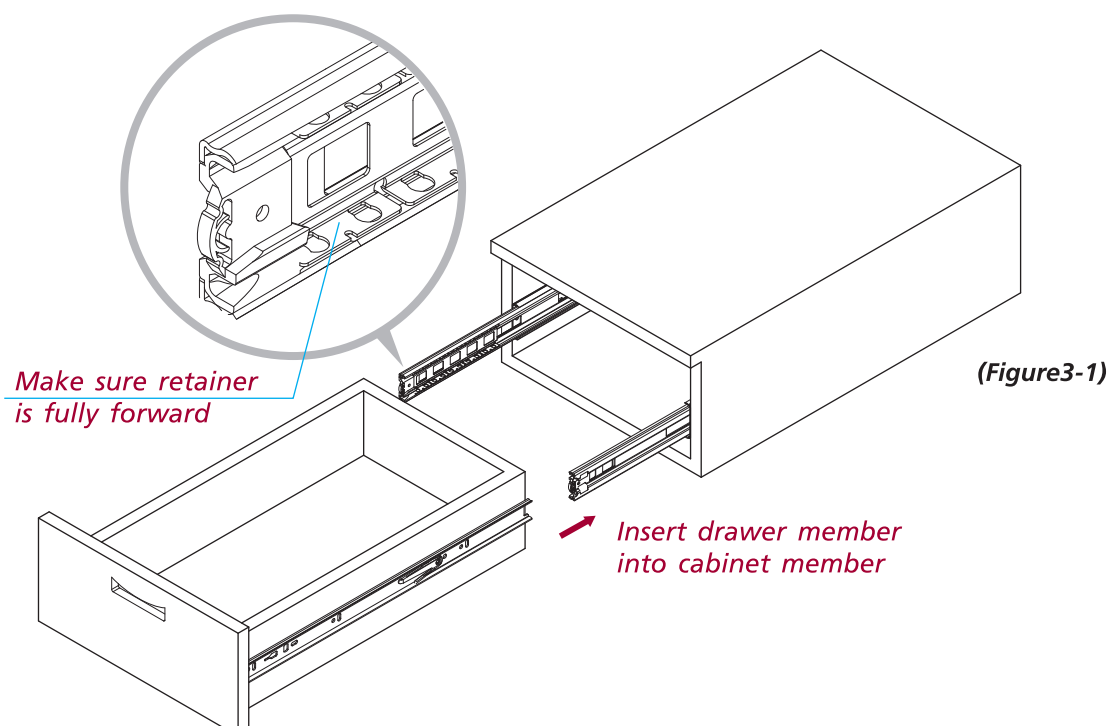
## Step 3 > Insert drawer into cabinet and adjustment

Make sure the bearing retainers are fully forward. Insert drawer member into the cabinet member, and then close the drawer completely. (Figure3-1)

### Final Adjustment.....

Try to open and close the drawer to see if slides function correctly. If so, secure the screws and install additional screws as necessary. If not, please make adjustment till slides function correctly.

\*This instruction is for reference only. It may vary due to different applications.



Make sure retainer is fully forward

Insert drawer member into cabinet member

(Figure3-1)

