



NJ-31112

Full Extension Slides
100 pound class (45 kgs)

Product Photo

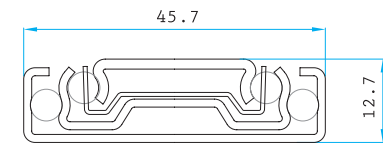


Features



Mounting | Side mount.
Side Clearance | 1/2"(12.7 mm) plus 1/32", minus 0 each side.
Height | 45.7 mm
Loading | 100 pound (45 kgs) class.
Size | 10"(250 mm) through 28"(700 mm) at 2"(50 mm) increment.
Feature | Built-in mounting tabs design for quick installation. Hold/close function. Lever disconnect for drawer removal.
Option | Self-closing, interlock, 1" over-travel.

Profile



Surface Treatment

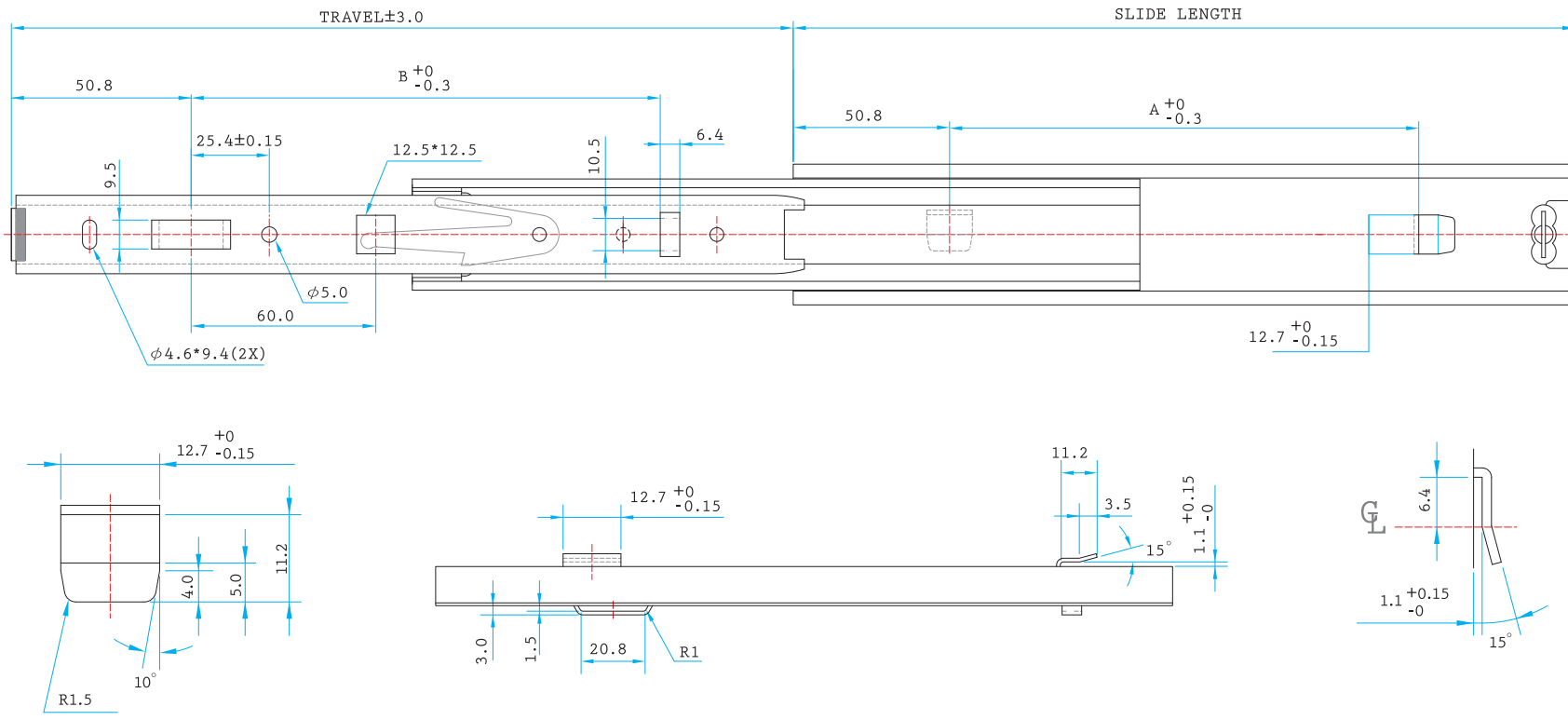
- Clear Zinc
- Black Zinc
- Black E. Coating
- White E Coating
- Stainless Steel
- Galvanized Steel

Packaging

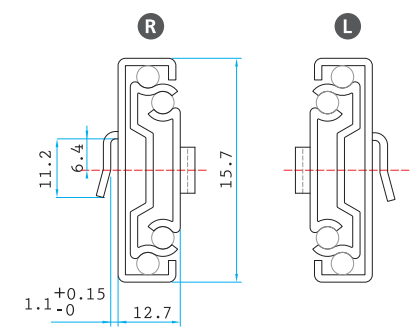
- Distribution / 12 pairs per box
- Production

*Box QTY might vary with different length, the info provided here is based on 18" (450 mm)

Drawing



Profile



Specification Table

SIZE	SL	TL	A	B
10" (250mm)	254.0	254.0	152.4	152.4
12" (300mm)	304.8	304.8	203.2	203.2
14" (350mm)	355.6	355.6	254.0	254.0
16" (400mm)	406.4	406.4	304.8	304.8
18" (450mm)	457.2	457.2	355.6	355.6
20" (500mm)	508.0	508.0	406.4	406.4
22" (550mm)	558.8	558.8	457.2	457.2
24" (600mm)	609.6	609.6	508.0	508.0
26" (650mm)	660.4	660.4	558.8	558.8
28" (700mm)	711.2	711.2	609.6	609.6

Installation Instructions

QUICK INSTALLATION GUIDE OF NJ-31112

Loading, Full Extension Slides, 100 pound (45 kgs) loading

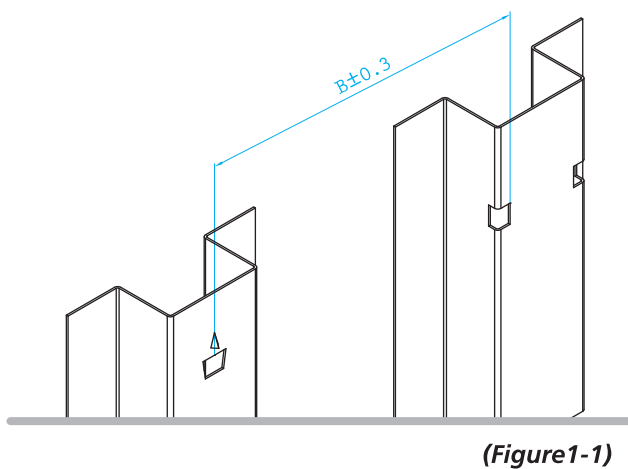
READ THE QUICK INSTALLATION GUIDE FIRST BEFORE INSTALLATION

A. The installation guide provides you the information related to drawer slide mounting as reference. You may modify the suggested mounting method or create your own.

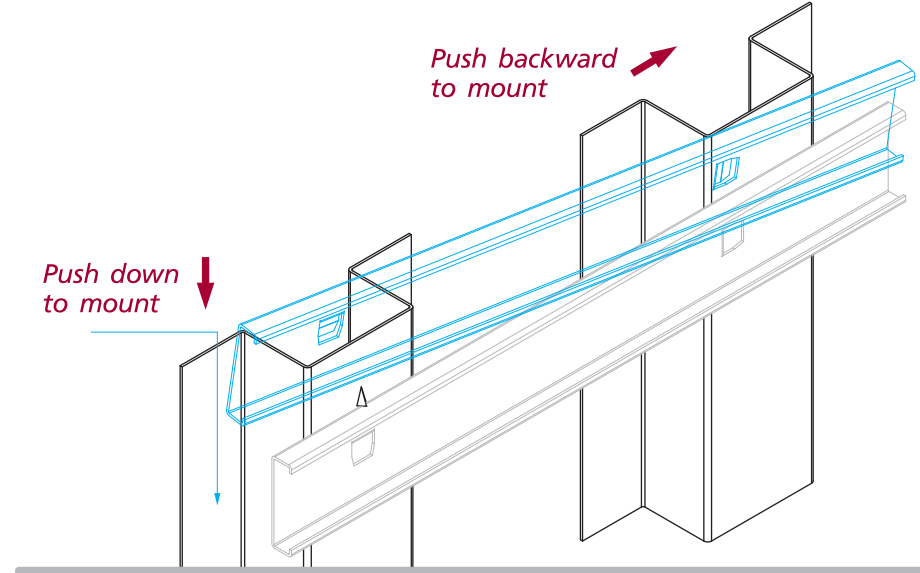
Step 1 > Technical Specifications for cabinet rack design

Please refer to Fig 1 for the cabinet rack design. (Figure1-1)

PART NO.	B
10" (250mm)	152.4
12" (300mm)	203.2
14" (350mm)	254.0
15" (375mm)	304.8
16" (400mm)	304.8
18" (450mm)	279.4
20" (500mm)	330.2
22" (550mm)	381.0
24" (600mm)	431.8
26" (650mm)	482.6
28" (700mm)	533.4

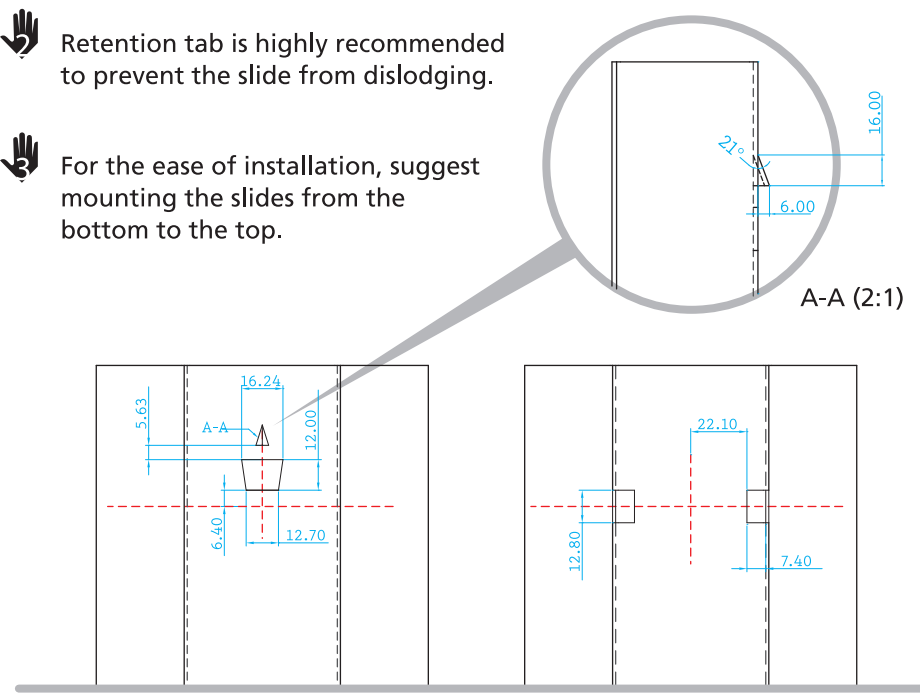


(Figure1-1)



Retention tab is highly recommended to prevent the slide from dislodging.

For the ease of installation, suggest mounting the slides from the bottom to the top.

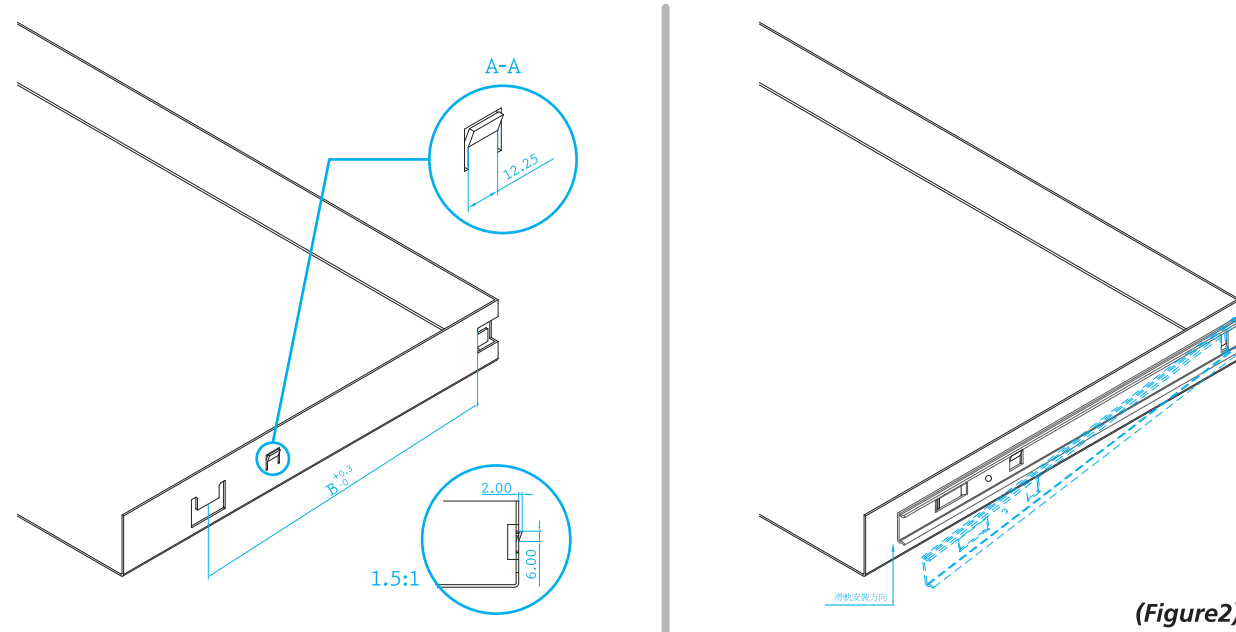


Step 2 > Technical Specification for drawer cut-out

Please refer to Fig 2 for drawer cut-out. (Figure2)

Retention tab is highly recommended to prevent the drawer from dislodging.

No need to remove the slide drawer member when install the drawer.



(Figure2)

SIZE(IN)	A
10" (250mm)	152.4
12" (300mm)	203.2
14" (350mm)	254.0
15" (375mm)	304.8
16" (400mm)	304.8
18" (450mm)	279.4
20" (500mm)	330.2
22" (550mm)	381.0
24" (600mm)	431.8
26" (650mm)	482.6
28" (700mm)	533.4

