

# QUICK INSTALLATION GUIDE OF NJ-76006

Loading, Full Extension Slides, 200 pound (90 kgs) loading



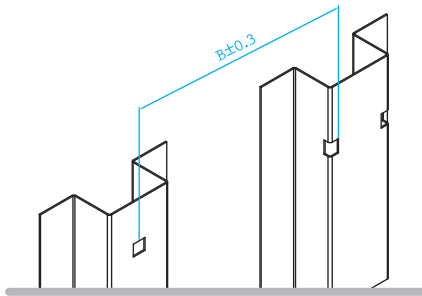
**READ THE QUICK INSTALLATION GUIDE FIRST BEFORE INSTALLATION**

A. The installation guide provides you the information related to drawer slide mounting as reference. You may modify the suggested mounting method or create your own.

## Step 1 > Technical Specifications for cabinet rack design

Please refer to Fig 1 for the cabinet rack design. (Figure1-1)

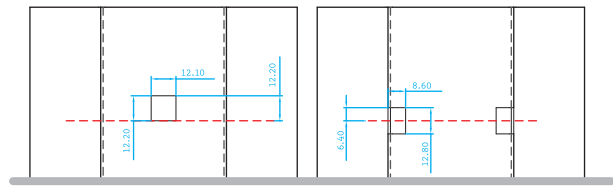
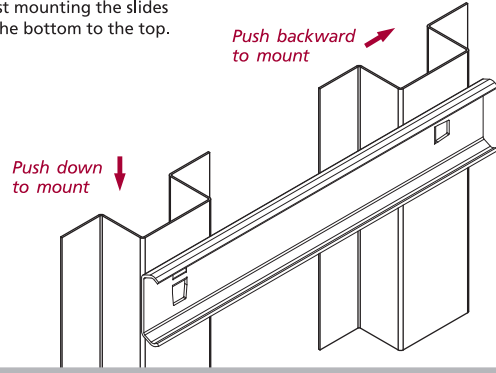
SIZE	B
10" (250mm)	174.0
12" (300mm)	224.0
14" (350mm)	256.0
16" (400mm)	320.0
18" (450mm)	322.0
20" (500mm)	416.0
22" (550mm)	445.0
24" (600mm)	512.0
26" (650mm)	544.0
28" (700mm)	606.0
30" (750mm)	656.0
32" (800mm)	706.0
34" (850mm)	756.0
36" (900mm)	806.0
38" (950mm)	856.0
40" (1000mm)	906.0



(Figure1-1)



For the ease of installation, suggest mounting the slides from the bottom to the top.

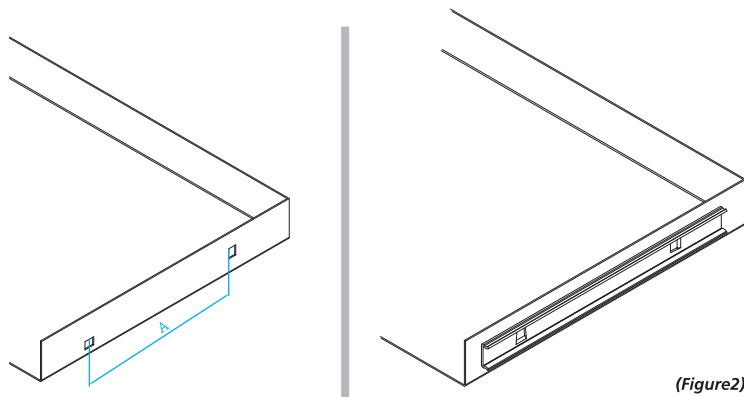


## Step 2 > Technical Specification for drawer cut-out

Please refer to Fig 2 for drawer cut-out. (Figure2)

Highly recommend to secure the drawer with M4 machine screw \* or rivet drawer to keep it from dislodging. (\* the correspondent hole on the drawer side panel must be threaded.

No need to remove the slide drawer member when install the drawer.



(Figure2)

SIZE	A	SIZE	A
10" (250mm)	148.0	26" (650mm)	548.0
12" (300mm)	198.0	28" (700mm)	598.0
14" (350mm)	248.0	30" (750mm)	648.0
16" (400mm)	298.0	32" (800mm)	698.0
18" (450mm)	348.0	34" (850mm)	748.0
20" (500mm)	398.0	36" (900mm)	798.0
22" (550mm)	448.0	38" (950mm)	848.0
24" (600mm)	498.0	40" (1000mm)	898.0

